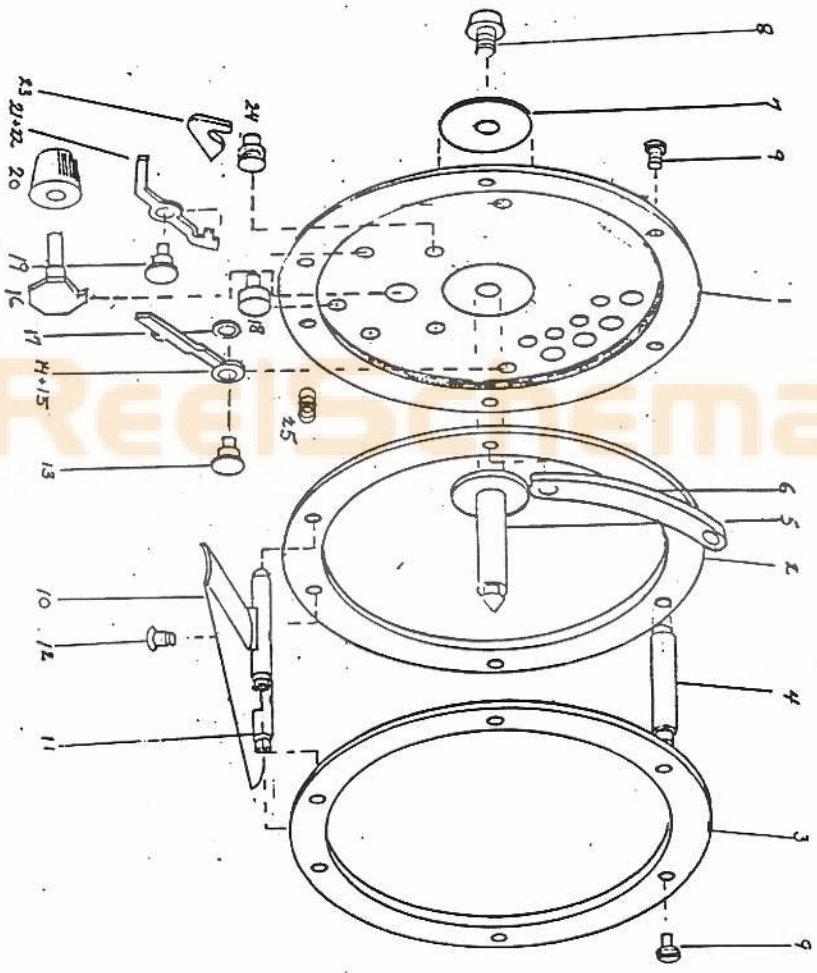


400317

67-N



PART NUMBER QUANTITY PART NO. QUANTITY SHFT # /

1	5-1-CIN BUCK	1	15	NOT NEEDED	
2	103 INNER RIFT	1	16	252 SPRD	1
3	3886 OUTER RIM	1	17	749 SPRD W/SHIELD	3
4	272 LINE GUIDE LEST	4	18	NOT NEEDED	
5	746 SPINDLE	1	19	SHAKE AS #13	
6	194 LINA. GUIDE	4	20	745 GUNT KNOLS	1
7	774 SPINDT MOUNT	1	21	755 GUNT LEVER	1
8	8585 SLANT SCREW	1	22	NOT NEEDED	
9	234 PILET SCREW	1	23	756 PAIR NET MWL	1
10	192 REEL FOOT	1	24	751 PAIR NET STUD	1
11	898 REEL FOOT ADJST.	2	25	510 LEVER. STRIKING	1
12	205 ANTI FOOT SCREW	4	26		
13	70 LEVER STUD	2	27		
14	141 REEL LEVER	1	28		